

GROVE

KÄLTEANLAGE OBERWAGEN ZSB.
REFRIGERATING PLANT SUPERSTRUCTURE ASSEMBLY

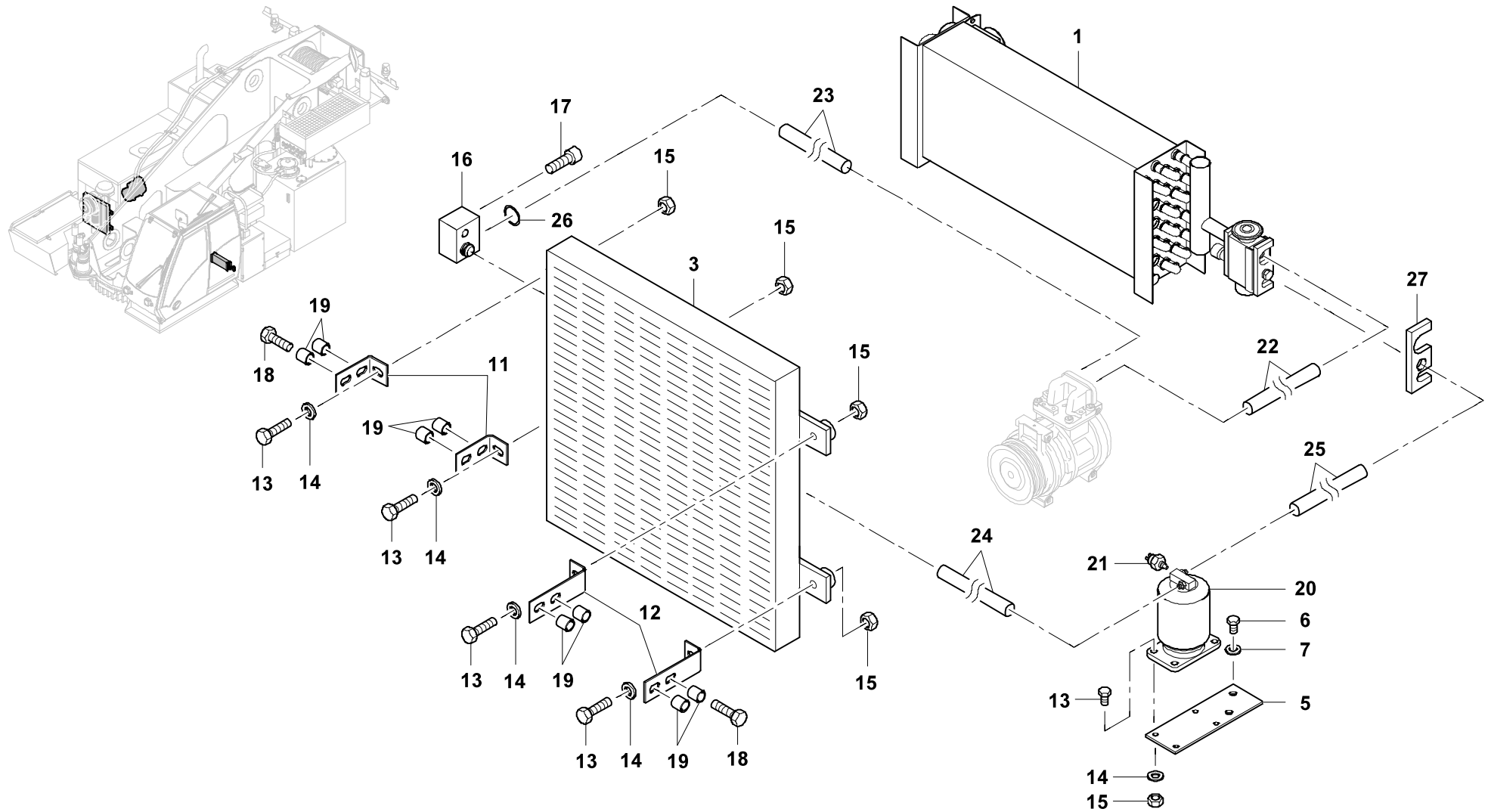
BILDTAFEL
PICTORIAL DISPLAY

12.11

3167376-ETL C

1/1

GMK 5130
BE 753
G 299



3167376-C-BL01-1211-5130